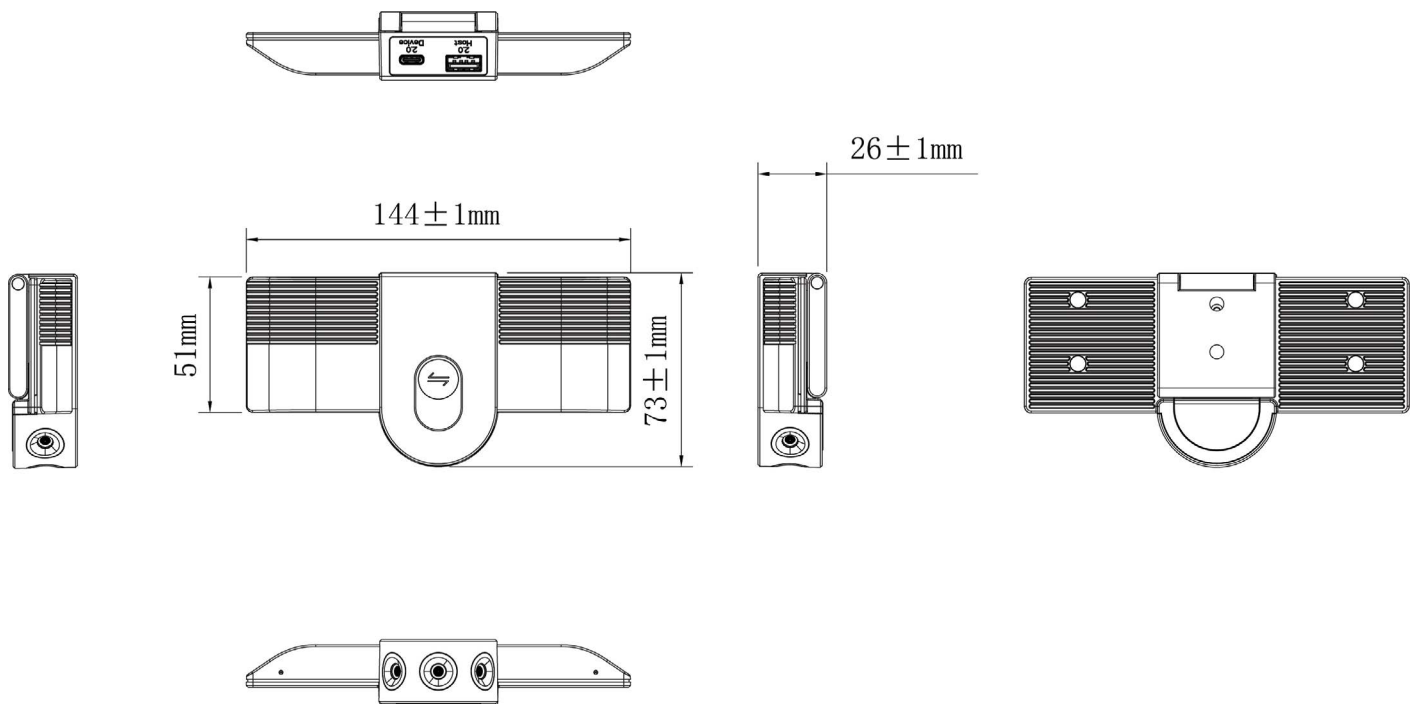


UNITE® 180 Panoramic Camera

Related Documents

- [UNITE 180 Datasheet](#)
- [UNITE 180 Quick-Start Guide](#)



ClearOne Contacts

Headquarters

5225 Wiley Post Way
Suite 500
Salt Lake City, UT 84116
www.clearone.com

Sales

Tel: 801.975.7200
e-mail: sales@clearone.com

US & Canada

Tel: 801.975.7200
Fax: 801.303.5711

Technical Support

Tel: 801.974.3760
e-mail: videotech.support@clearone.com

International

Tel: +801.974.3621
e-mail: global@clearone.com