

SPEAKERS

LS6CT CEILING SPEAKER



- Coaxial Kevlar Speaker Driver
- Rimless Grille



- 70V/100V Transformer
- Easy Connections



- Secure Attachment to Ceiling Tile
- Tile Bridge Included

Specifications

Frequency Range

- 50 Hz - 20 kHz

Power

- 100 V: 7.5 W, 15 W, 30 W, selectable
- 70 V: 3.8 W, 7.5 W, 15 W, 30W, selectable
- 8 Ω: 60 W

Sensitivity (1 W/1 M)

- 90 dB

Impedance

- 8 Ohms

Speaker

- Conical Dispersion: 120°
- 2-way coaxial
- Woofer diameter: 6.5 in (165 mm)
- Tweeter diameter: 1.57 in (40 mm)

Enclosure Material and Finish

- ABS, White
- Grille: White, magnetic attachment to enclosure

Dimensions and Weight

- Diameter x height: 9.25 x 6.3 in (235 x 160 mm)
- Hole cut diameter: 8.07 in (205 mm)
- Maximum ceiling (or ceiling tile) thickness: 1.57 in (40 mm)
- 4.85 lbs (2.2 kg)

Magnetic Grille Fastener Life

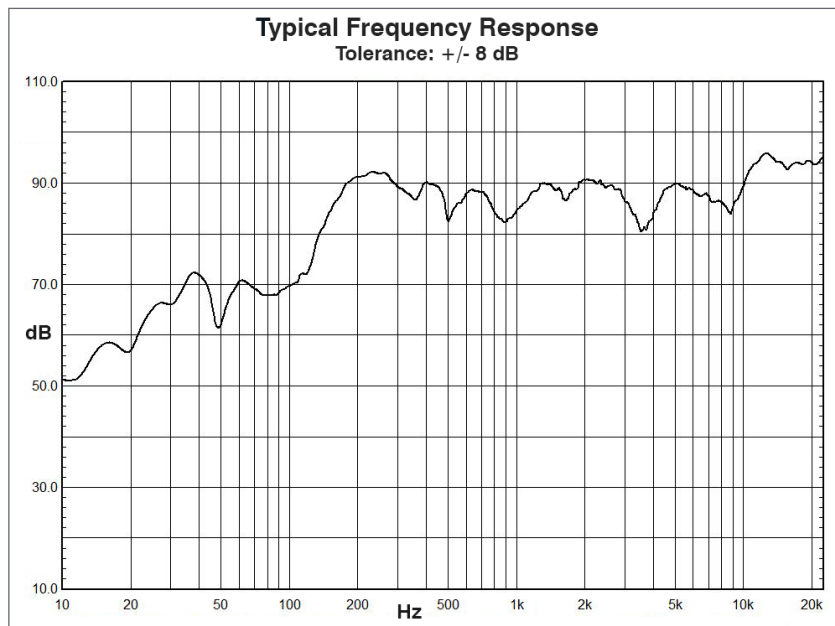
- Life of the speaker

Maximum Operating Temperature

- 80 °C

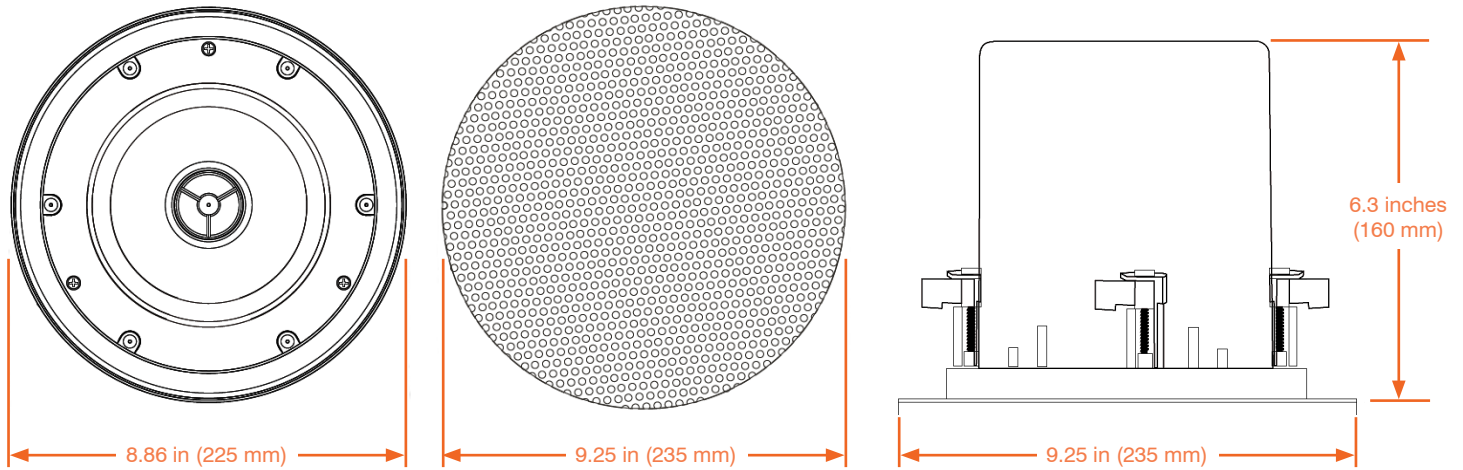
Part Number

- 910-151-001-01 LS6CT CEILING SPEAKER



Great Ideas Need to be Heard!®

Dimensions



Installation

Required Tools and Parts

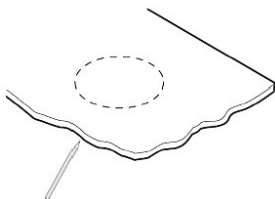
- Pencil
- Phillips screwdriver
- Fine-tooth saw (power or manual)



Caution!

- Install in accordance with all applicable local codes.
- Before you start, ensure that power to the amplifier is off.

1. Cut the ceiling tile.



- On the provided cutout template, punch out along the larger perforated circle.
- Place the cutout template against the bottom of the ceiling tile and with a pencil, trace the inside.
- With a fine-tooth saw, carefully cut out the ceiling material along the circle.
- (Optional) Install the Ceiling Tile Bridge.

2. Set the transformer as needed for your system.



Caution! For 100 V systems, do not set the transformer to “—”.



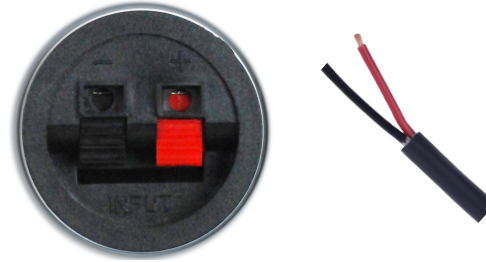
Installation instructions continue on the next page.

Installation, continued

3. Attach Wires to the speaker.

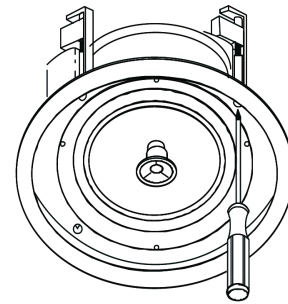
Connect the wires from the power amplifier to the speaker as follows:

- Positive signal to **red** connector
- Negative signal to black connector



4. Mount the speaker in the ceiling.

- Place the speaker in position in the cutout area of the ceiling tile, or optionally, through the ceiling tile bridge.
- For each of the 4 screws, tighten the screw until the dog leg clamps the speaker to the ceiling tile.
- Align and place the speaker grille against the speaker - it attaches magnetically.



Caution: Do not over-tighten screws.

SALES AND INQUIRIES

Headquarters

5225 Wiley Post Way Suite 500
Salt Lake City, UT 84116

Headquarters

Main: +1.801.975.7200

Sales

Tel: +1.801.975.7200
sales@clearone.com

Tech Support

Tel: +1.801.974.3760
audiotechsupport@clearone.com