

COLLABORATE® Versa™ Room CT



COLLABORATE Versa Room CT provides all of the equipment and accessories needed for exceptional meeting room cloud-based video conferencing with no external DSP needed – just connect it to a computer and displays.

- > USB audio-enabled Beamforming Ceiling Tile microphone (BMA CTH) brings cost-effective professional conferencing audio to small-and mid-sized meeting rooms. Built-in AEC, noise cancellation, and adaptive steering (think of it as smart switching), provides impeccable room coverage.
- > Easily and quickly configure the system using CONSOLE® AI Lite software with *Audio Intelligence™* and *Auto Connect™*.
- > Provides a convenient single USB cable connection to the laptop or room computer.
- > Add ClearOne's CONVERGE® Wall-Mount Bluetooth Expander to enable mobile devices to join the conference wirelessly.
- > UNITE 50 4K camera provides a 120-degree wide-angle field of view.
- > ClearOne's BMA technology is protected by at least a dozen patents and pending patent applications.
- > 2x10 Watt power amps drive the included 8-inch ceiling speakers.
- > Delivering unbeatable price, versatility, and coverage, the Versa Room CT dramatically enhances the room audio and video experience for any cloud-collaboration application.
- > Includes 50' CAT6 cable, 33' USB extender cable, PoE kit, ceiling speakers, and 50 feet of speaker cable

APPLICATIONS

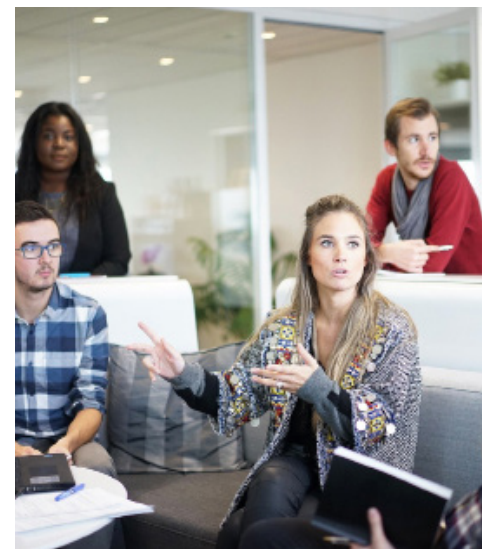
- Cloud-based video collaboration
- Cloud-based audio conferencing
- In-Room presentation

WORKSPACES

- Executive offices
- Small-to mid-sized meeting rooms
- Boardrooms

Enhance Cloud-Based Video Collaboration

Delivering unbeatable price, versatility, and coverage, the Versa Room CT dramatically enhances the room audio and video experience for any cloud-based video collaboration application.



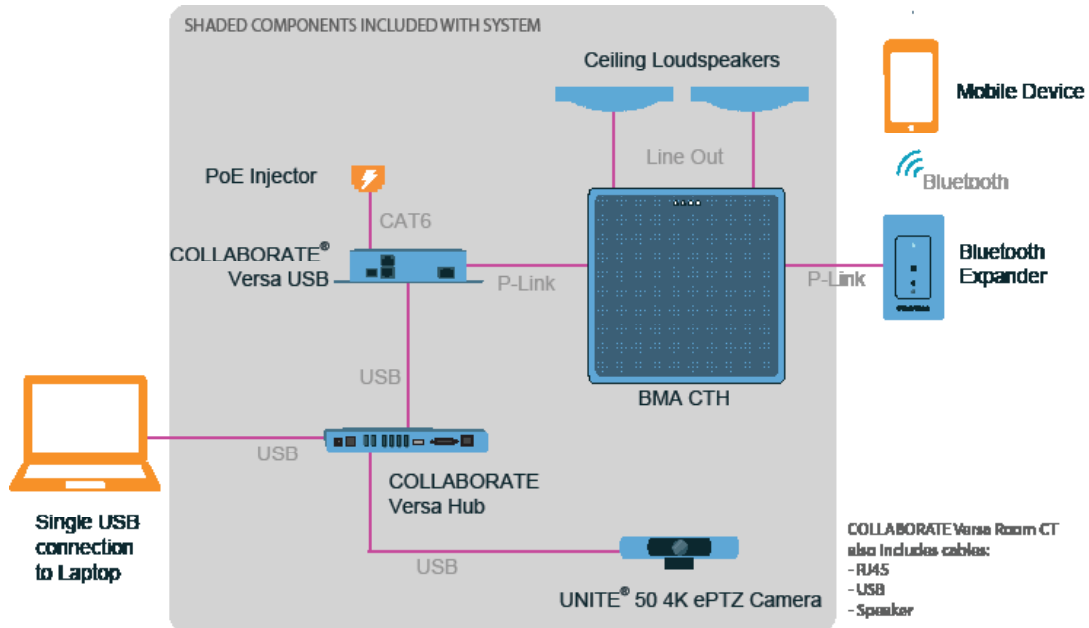
Pro Audio in Smaller Spaces

USB audio-enabled Beamforming Ceiling Tile microphone brings cost-effective professional conferencing audio to small-and mid-sized meeting rooms.

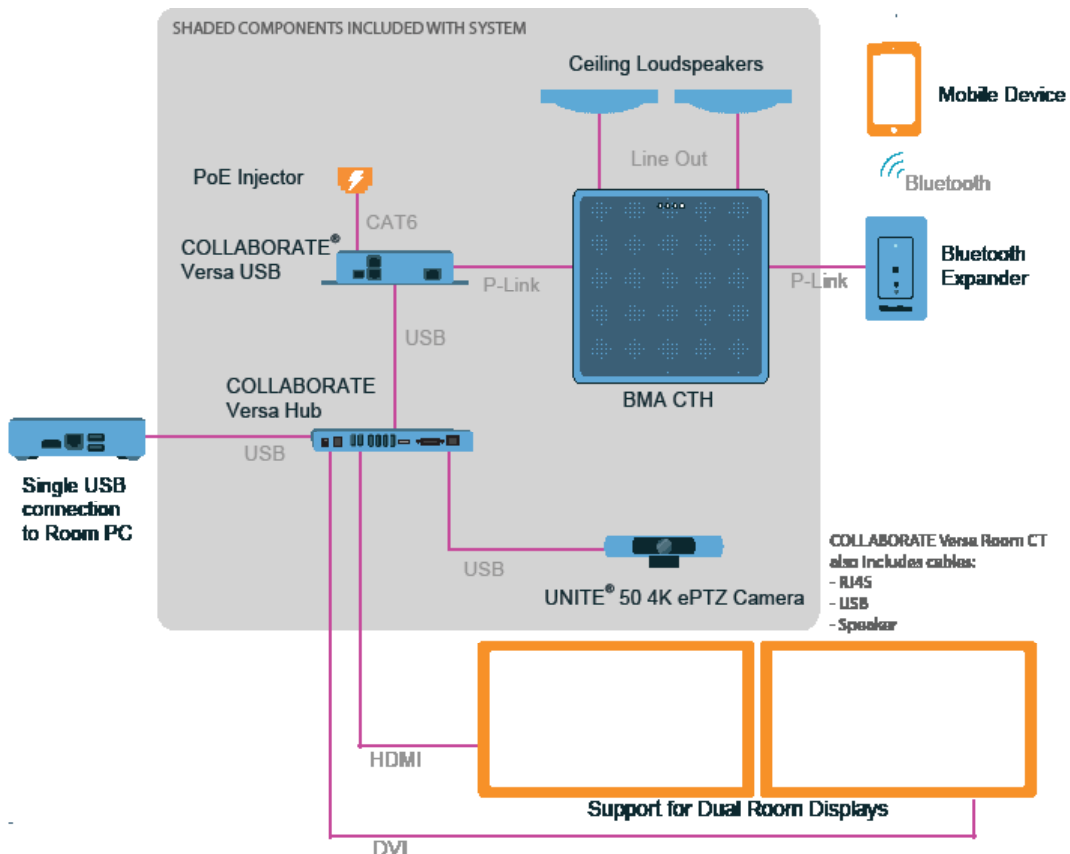
BYOD COLLABORATION

COLLABORATE Versa Room CT provides all of the equipment and accessories needed for room cloud-based conferencing with no DSP mixer needed – just connect it to a computer and displays. Add ClearOne's Wall-Mount Bluetooth Expander to enable mobile devices to join the conference wirelessly.

Versa Room CT using laptop with optional ClearOne Wall-Mount Bluetooth Expander

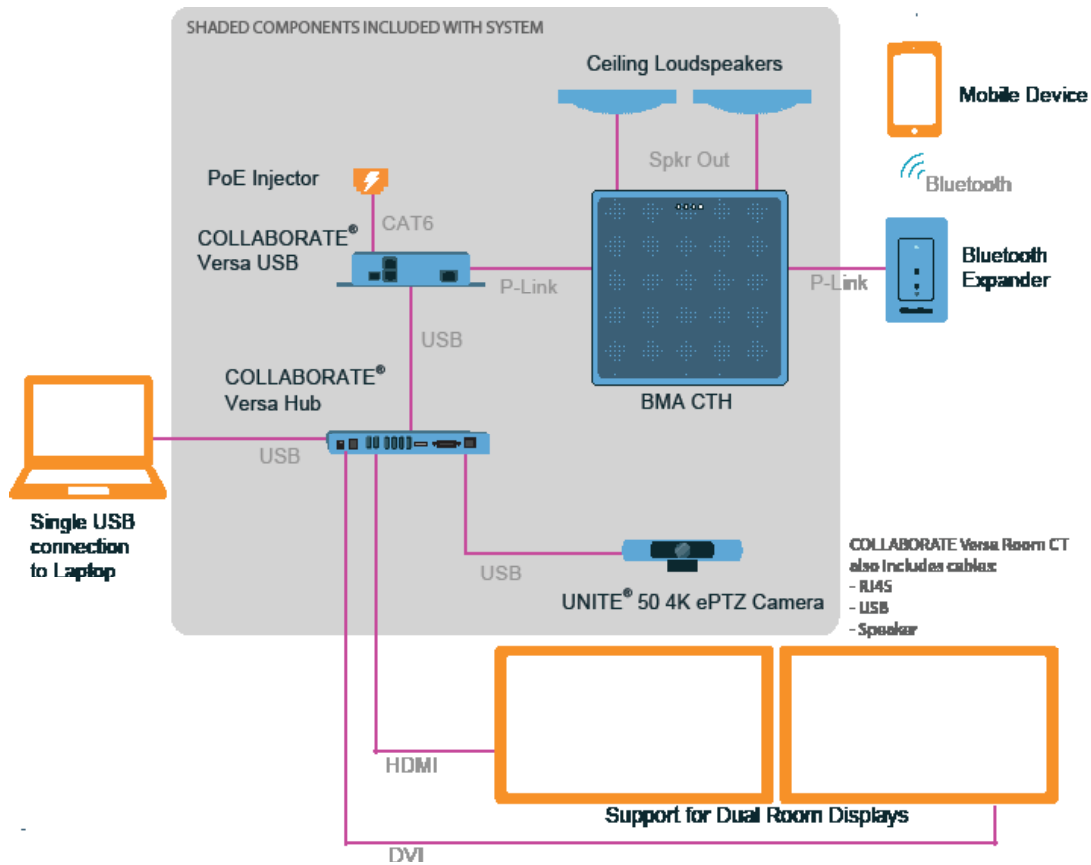


Versa Room CT using room PC and 2 room displays, with optional ClearOne Wall-Mount Bluetooth Expander



BYOD COLLABORATION

Versa Room CT using laptop and 2 room displays with optional ClearOne Wall-Mount Bluetooth Expander



COLLABORATE® Versa™ Room CT

INCLUDES

- **CHOICE OF BMA CTH**
 - BMA CTH 24in
 - BMA CTH 600mm
- COLLABORATE Versa Hub
- COLLABORATE Versa USB
- UNITE 50 4K ePTZ Camera
- Ceiling Loudspeakers
- PoE power supply kit
- RJ45 CAT6 Cable – 50'
- USB 3.0 Cable – 33'
- Speaker Cable – 50'

NOTE: See Component Datasheets for Full Specs

BMA CTH

24 MICROPHONES

- Number of Beams: Two patterns, either 5 or 6 beams
- Polar Pattern: Custom
- Frequency Response: 150Hz – 16kHz, +/- 3dB
- Dynamic Range: 150Hz – 16kHz, > 70dB

AMPLIFIER OUTPUT

- Type: 5.08mm Black Header, Male, Phoenix type Euroblock
- Audio: 2 channels
- Output Power: 2x10W Max, 8Ω load*
- Frequency Response: 20Hz – 22kHz @ +10dBu, +/- 0.5dB

CONFIGURATION

- Acoustic Echo Cancellation (AEC) on/off
- Noise Cancellation (NC) on/off
- Automatic Level Control (ALC) on/off
- Gain adjust
- Mute on/off

POWER SELECTION SWITCH

- Type: Slide Switch

CONFIGURATION & ADMINISTRATION SOFTWARE

- CONSOLE® AI Room Software

MOUNTING

- Ceiling mount (24" or 600mm drop-ceiling grid)

DIMENSIONS & WEIGHT

- 24" BMA CTH
 - 23.72 x 23.72 x 2.13" (602.5 x 602.5 x 54.1mm)
- 600 mm BMA CTH:
 - 592.5 x 592.5 x 54.1 mm (23.33 x 23.33 x 2.13")
- Unit Weight: 7.7lbs (3.5kg)

COLLABORATE VERSA USB

- Port Type: USB-B Connector
- Audio: Digital audio, 2 x 2 bidirectional channels
- Sample Rate: 48 kHz
- Sample Bit Depth: 24 Bit
- Compatible: USB 2.0, USB 3.0
- USB Cable Distance: 16 feet (5 meters)
- Compatible: Windows & Mac OS devices

P-LINK PERIPHERAL BUS

- Ports Type: RJ-45 (Cat5e or Cat6)
- P-Link In & Out: Proprietary Peripheral Bus
- **PoE In:**
 - P-Link In Port
 - PoE 802.3af Mode B, Midspan
 - Power on "spare pairs" 4,5 and 7,8
- **Cable:** Solid core 24AWG, factory terminated Cat 5e or Cat 6 cable
- **Distance:** Up to 200 feet (60 meters)

POWER SELECTION SWITCH

- **Sensor Type:** Slide Switch
- Toggle toward P-Link to power device by P-Link
- Toggle toward PoE to power device by PoE Injector

PoE In PORT

- **Port Type:** RJ-45 port
- **PoE:** 802.3af or 802.3at PoE/PoE+ injector input

• MOUNTING

- Rack-shelf Mount, Under-Table Mount, Wall Mount, Ceiling Mount

• DIMENSION & WEIGHT

- **Width x Depth x Height:**
 - Without rack-ears:
 - 5.5" x 1.6" x 4.1" or 14.4 x 4.2 x 10.3cm
 - With rack-ears:
 - 6.8" x 1.7" x 4.1" or 17.2 x 4.3 x 10.3cm
- Unit Weight: 0.88 lbs (0.4 kg)

VERSA HUB

- 1x USB 3.0 (Type-B) for laptop (Requires Display Link driver on laptop)
- 2x USB 3.0 (Type-A) for UNITE camera & CHAT Speakerphone
- 4x USB 2.0 ports
- 1x HDMI out
- 1x DVI out

COLLABORATE® Versa™ Room CT

CEILING LOUDSPEAKERS

- Speaker Type: 2-way, ceiling speaker with metal back can
- Frequency Range: 65 Hz to 20 kHz
- Power Handling: 60 Watts RMS, 120 Watts Peak
- Nominal Sensitivity: • 88 dB, 1W @ 1m
- Nominal Impedance: • 8 Ohms
- Transformer Taps:
 - 70V – 30W, 15W, 7.5W, 3.8W, 1.9W
 - 100V – Null, 30W, 15W, 7.5W, 3.8W
- Woofer: 6.5" (165mm) poly-propylene cone with moisture-resistant coating
- Tweeter: ¾" (19mm) silk dome
- Overload Protection: Full range power limiter with the 8 ohm direct input only, protecting the tweeter, woofer and crossover
- Dimensions: 10.24" (260mm) diameter, 7.40" (188mm) deep
- Net Weight (each): 3.5 Kg (7.71 lb)

SYSTEM POWER & THERMAL

- Power Type: PoE/PoE+
- Port Type: RJ-45
- PoE In/P-Link In: 802.3af or 802.3at PoE/PoE+
- Power Source: PoE Injector or equivalent
- PoE: IEEE 802.3at compliant devices providing 56V and 640 mA (36 W).
- P-Link In - Mode B
- Power Consumption:
 - 100-240VAC, 50/60Hz, 3 Watts Typical
 - 38W at max power 1kHz (2 x 10W)
 - Thermal: 130 BTU/Hr at max power
 - Operating Temperature: 14° F/-10° C to 104° F/40° C ambient temperature

PART NUMBERS

930-3200-020 - COLLABORATE Versa Room CT

INCLUDES

- 910-3200-205 BMA CTH 24
- 910-3001-100 COLLABORATE Versa Hub
- 910-3200-305 COLLABORATE Versa USB
- 910-2100-006 UNITE 50 4K ePTZ Camera
- 910-151-001-01 Ceiling Loudspeakers
- 910-3200-202 PoE power supply kit
- 910-3200-204-50 RJ45 CAT6 Cable – 50'
- 910-3200-702-30 USB 3.0 Cable – 33'
- 693-153-050 Speaker Cable – 50'

930-3200-020-I - COLLABORATE Versa Room CT INTL

INCLUDES

- 910-3200-205-I BMA CTH 600mm
- 910-3001-100 COLLABORATE Versa Hub
- 910-3200-305 COLLABORATE Versa USB
- 910-2100-006 UNITE 50 4K ePTZ Camera
- 910-151-001-01 Ceiling Loudspeakers
- 910-3200-202 PoE power supply kit
- 910-3200-204-50 RJ45 CAT6 Cable – 50'
- 910-3200-702-30 USB 3.0 Cable – 33'
- 693-153-050 Speaker Cable – 50'

OPTIONAL CLEARONE PERIPHERALS

- CONVERGE Wall-Mount Bluetooth Expander

MOUNTS FOR NON-TILE CEILINGS

- 910-3200-210 BMA Surface-Mount Kits 24in
- 910-3200-210-I BMA Surface-Mount Kits 600mm
- 910-3200-212 BMA Recessed-Mount Kits 24in
- 910-3200-212-I BMA Recessed-Mount Kits 600mm

SALES AND INQUIRIES

Headquarters

5225 Wiley Post Way
Suite 500
Salt Lake City, UT 84116

US & Canada

Tel: +1.801.975.7200
Fax: +1.801.303.5711

International

Tel: +1.801.975.7200
global@clearone.com

Sales

Tel: +1.801.975.7200
sales@clearone.com

TechSupport

Tel: +1.801.974.3760
tech.support@clearone.com