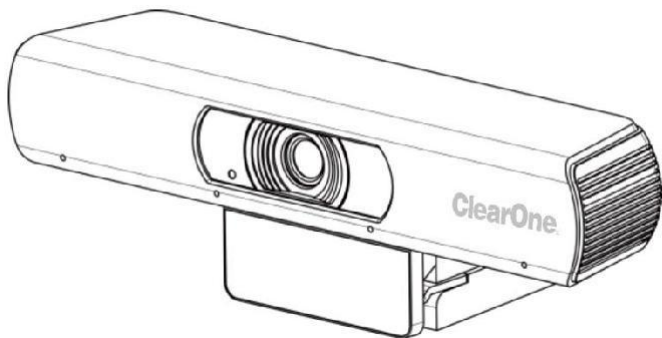


# **ClearOne**<sup>®</sup>

## UNITE<sup>®</sup> 50 4K ePTZ CAMERA

### QUICK-START GUIDE

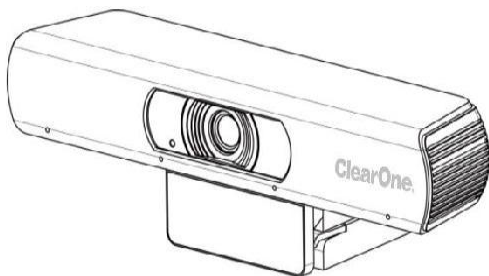


UNITE<sup>®</sup> 50 4K ePTZ CAMERA

QUICK-START GUIDE

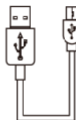
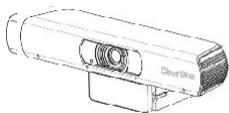
# **1 Appearance and Interface**

---



## 2 Packing List

---



Camera

Remote Control

USB Cable

Quick Start Guide

# 3 Product Features

---

## Full 4K– Zoom Rooms Certified

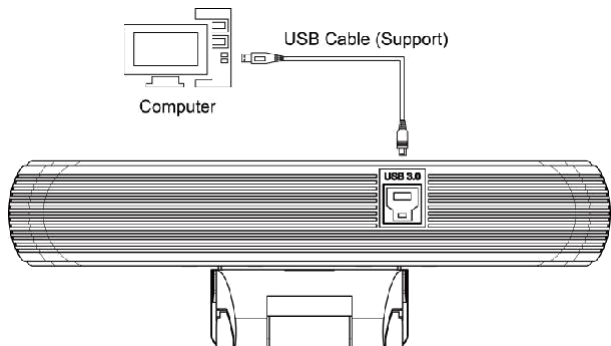
. It supports Ultra-High Definition (UHD) 4K @30fps image output, auto-focus, 3x digital zoom, while down compatible with 4k@30, 720p and other resolutions

## USB 3.0

Full function USB 3.0 interface, power supply, video, audio in one. Also, can support two channels of USB video signal source and one channel audio source.

**Please Note:** The UNITE 50 camera is powered over the connected USB cable and requires 600mA @5V at the USB port on the camera.

ClearOne has tested the Unite 50 with our 10m and 30m Fiber USB 3.0 cables and as long as they are connected to USB source providing sufficient power, they will power the Unite 50 camera.



### **AF Lens**

Full auto-focus limited-distortion lens, wide-angle field of view up to 120 degrees with support for EPTZ.

### **WDR**

Wide Dynamic Range (WDR) support for optimal image capture in different lighting environments.

### **Built-in Microphone**

Microphone array, with noise-suppression algorithm, picks up voice audio from up to 12 meters (>39').

### **Low-light**

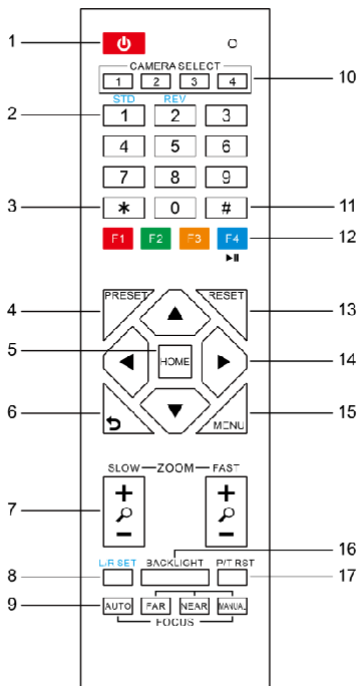
A specialized 2D and 3D algorithm contributes to image quality, even during ultra-low illumination with image SNR as high as 55dB.

### **Easy Installation**

Standard damping rotary shaft support, suitable for most monitors,  
easy installation, stable and reliable

# 4 Remote Control

---



No.	Name	Function Description
1	Standby Key	On/Off
2	Number Key	Preset setting or transfer preset
3	*Key	For use with other keys
4	Preset Key	Preset : Setting Preset + Number key ( 0-9 )
5	HOME (PTZ Control key)	Brings the PTZ camera back to the middle position
6	Return Key	Return back to the last menu level
7	Zoom Buttons	Moving between wide/narrow angle lens modes, slowly or quickly
8	Left/Right Setting Key	<ul style="list-style-type: none"> <li>● Standard: Simultaneously press Left/Right setting key + 1</li> <li>● Reverse: Simultaneously press Left/Right setting key + 2</li> </ul>
9	Focus Keys	auto/manual/far-end/near-end focus
10	Selection Keys	Select the camera to control
11	#Key	For use with other keys
12	IR Remote Control Key	[*+ # +F1/F2/F3/F4]: NO.1/2/3/4 address (not support)
13	Reset Key	Delete preset
14	PTZ control keys	Used to move the PTZ
15	Menu Key	Used to enter/exit OSD Menu
16	Backlight Key	Turn on/off backlight
17	PTZ reset key	For use with PTZ cameras



# 5 Safety Precautions

---

## Installation

This product should be placed on a smooth flat surface, or bracket-mounted, if desired. Avoid contact with any liquid, gas or solid material that may cause corrosion.

## Do Not Disassemble

This product has no user-repairable parts. Damage caused by unauthorized disassembly is not covered by warranty.



Notice

Electromagnetic fields at specific frequencies may affect image quality.

# 6 Troubleshooting

---

## Image

Image is jittery when the camera lens is at max zoom:

- 1) Ensure that the camera is installed in a stable position.
- 2) Remove vibrating objects/machinery from the proximity of the camera.

## Control

Remote control not operating

- 1) Check/replace batteries in the remote control unit.
- 2) Ensure the camera working mode is correct.

# 7 Service and Support

---

If you need assistance setting up or operating your product, please contact us. We welcome your comments so we can continue to improve our products and better meet your needs.

## Technical Support

Telephone: 1.800.283.5936

E-mail: [collaborate.support@clearone.com](mailto:collaborate.support@clearone.com)