

DIGILINX™ Technical Bulletin

Installing a *TouchLinX* TL430 or TL700 in a Rough-In Box

This technical bulletin provides instructions for installing a *TouchLinX* TL430 or TL700 in a rough-in box. To install a *TouchLinX* TL430 or TL700 in a *TouchLinX* rough-in box (TLB430 or TLB700), follow these steps.

1. Cut a hole in the wall where you want to install the *TouchLinX* with the following dimensions according to the type of *TouchLinX* you are installing:
TouchLinX Rough-In Box TLB430 Size: 122mm wide x 99mm high x 54mm deep
(4.80" x 3.87" x 2.12")
TouchLinX Rough-In Box TLB700 Size: 182mm wide x 129mm high x 54mm deep
(7.16" x 5.08" x 2.12")
2. Use the template included with the *TouchLinX* as a guide.

NOTE: Be exact - Measure twice, cut once. Clearance gap between the edge of the hole and the edge of the faceplate is 1cm.

3. Mount the rough-in box in the hole in the wall as shown in Figure 1 on the following page.

The
IP-Based
Distributed
Entertainment
Company.

Products Included:

DigiLinX

MediaLinX™



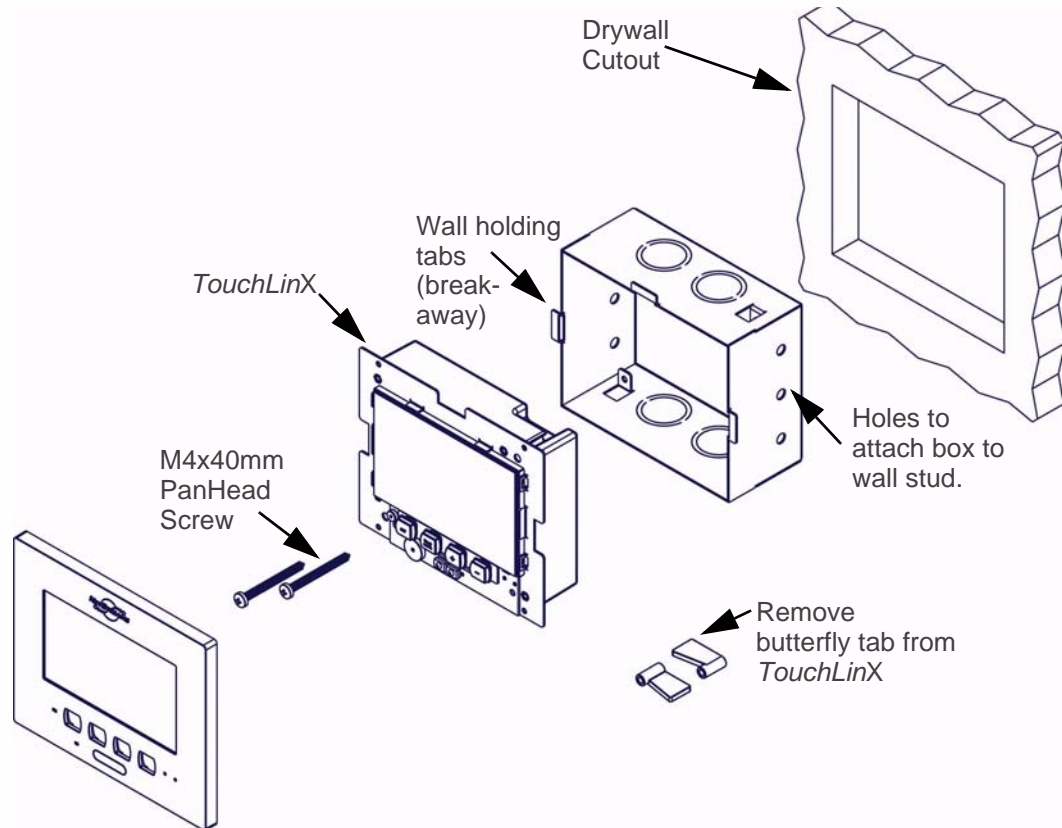


Figure 1 Installing the *TouchLinX* in a Rough-In Box

4. Attach *TouchLinX* rough-In box to a wall stud with wood screws (not included). If installing into a solid or plaster wall, mold box into wall. Remove wall holding break-away tabs as needed.
5. Run a conduit through one of the punch outs at the top or bottom of the rough-in box as needed.
6. Remove self-tapping screws and butterfly tabs from the *TouchLinX* as shown in Figure 1
7. Place the *TouchLinX* in the rough-in box. The tabs on the side of the *TouchLinX* prevent it from going in too far.
8. Screw the two M4 x 40mm Pan head screws (included) into the two tabs at the top right and lower left inside of the rough-in box as shown in Figure 1.
9. Attach the magnetic *TouchLinX* faceplate onto the front of the *TouchLinX*.