

APPLICATION NOTE

PRODUCTS SUPPORTED:

CONVERGE® Pro models: 880, 880T, 880TA, 840T, 8i, TH20, VH20, SR1212, SR1212A, INTERACT® Pro, INTERACT Pro 8i and StreamNet™ BluePort® BP200

CLEARONE DOCUMENT NTS-0017-001
(REVISION 1.0) March, 2013

USING THE STREAMNET BLUEPORT BP200 WITH CONVERGE PRO OR INTERACT PRO AUDIO SYSTEMS FOR CONNECTING A BLUETOOTH®-ENABLED AUDIO SOURCE

OVERVIEW

The BluePort BP200, acts as a receiver to connect the output from your Bluetooth wireless audio device to your CONVERGE Pro or INTERACT Pro audio system. The nominal working distance of 33 feet between the BluePort and the wireless source device may be greater or shorter depending on wall construction, electrical interference, and the output power of the portable device. This document explains how to connect and use a BluePort source device with CONVERGE Pro and INTERACT Pro audio systems.

- » Note: The BluePort provides stereo audio outputs; it does not receive audio input from the CONVERGE/INTERACT Pro. The Bluetooth enabled device is only an audio source for line inputs to the CONVERGE/INTERACT Pro. It cannot be used for connecting a mobile phone for phone calls or conferencing.

CONVERGE Pro Systems		INTERACT Pro Systems
• 880	• TH20	• INTERACT Pro
• 880T	• VH20	• INTERACT Pro 8i
• 880TA	• SR1212	
• 840T	• SR1212A	
• 8i		

Cable

You must construct a cable to connect the BluePort EIM connector to the CONVERGE/INTERACT Pro. This cable connects an RJ45 connector on the BluePort to two mini phoenix-type connectors on the CONVERGE/INTERACT line inputs. Follow the wiring diagram in Figure 1 to build this cable.

EIM connection from the BP200 to the Pro Audio Mixer will need to be a custom cable connection. Cable Pinout shown below.

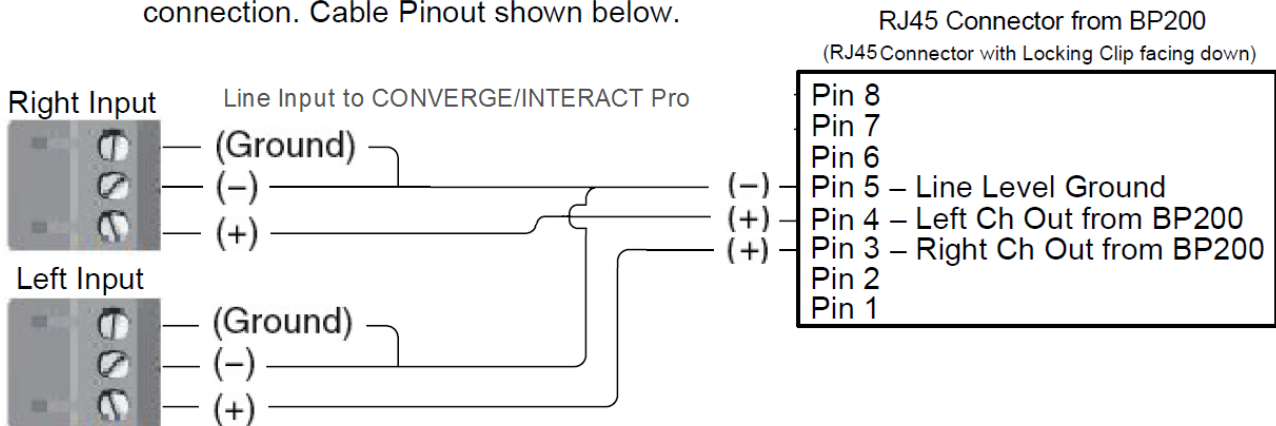


Figure 1

Wiring

You must connect the BluePort to the CONVERGE/INTERACT Pro audio mixer as shown in Figure 2.

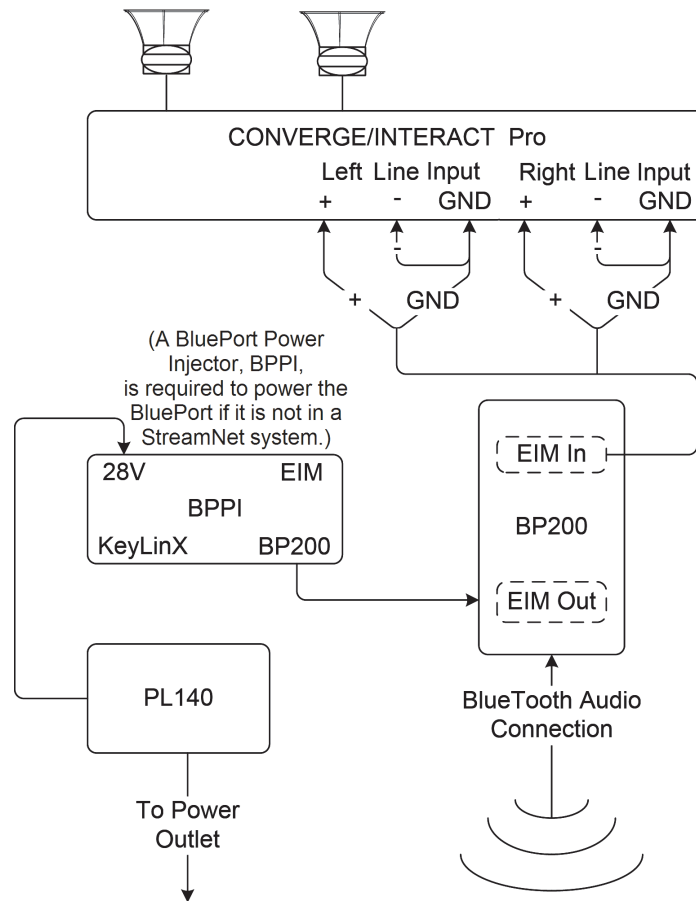


Figure 2

How to Pair with the BluePort BP200

1. Momentarily press the **Reset** button on the front of the BluePort to place the BluePort into pairing mode. The status LED will turn on solid while the BluePort is preparing for pairing mode. Once in pairing mode, the LED will start to blink. The BluePort will remain in pairing mode for five (5) minutes, or until a device connects.
2. Open the Bluetooth configuration page on your source device. (Please refer to the Bluetooth instructions for your specific wireless device.)
3. Enable Bluetooth on your source device, or start scanning for playback devices.
4. Look for the device identified by the preset name that has been selected on the BluePort using the "Set ID" rotary switch and pair with it.
5. If your device prompts you to enter a pairing code, enter "0000" (Four zeros).
6. Once paired and connected, the status light on the BluePort will turn off, unless your source device automatically starts streaming, in which case the LED will turn on for one (1) minute, or until the source device stops streaming.
7. Start streaming audio to the BluePort from your source device. The status LED on the BluePort will glow steady for one (1) minute when a new stream starts. On some wireless devices, you may need to explicitly select Bluetooth as the audio output.

HEADQUARTERS:

Salt Lake City, UT USA
5225 Wiley Post Way
Suite 500
Salt Lake City, UT 84116

Tel: 801.975.7200
Toll Free: 800.945.7730
Fax: 801.977.0087
E-mail: sales@clearone.com

EMEA
Tel: 44 (0) 1189.036.053
E-mail: global@clearone.com

APAC
Tel: 852.3590.4526
E-mail: global@clearone.com

LATAM
Tel: 801.974.3621
E-mail: global@clearone.com

TechSales
Tel: 800.705.2103
E-mail: techsales@clearone.com

Technical Support
Tel: 800.283.5936
E-mail: tech.support@clearone.com