



Unilever

TRAINING FACILITY - SINGAPORE

UNILEVER CHOOSES CLEARONE FOR THEIR NEW, STATE-OF-THE-ART TRAINING FACILITY

CHALLENGES

Unilever, the global brand for products such as Dove and Flora, needed to create a training facility at their Four Acres site in Singapore to conduct brand leadership and training programs for the Asia Pacific region. IT and AV integration firm Principle One was contracted to carry out the project. They chose ClearOne to provide the audio and video backbone for this state-of-the-art installation.

It was important for the client to be able to stream music to multiple zones within Four Acres. Voice announcements, messaging, and digital signage were also a priority that needed site-wide distribution.

CLEARONE SOLUTION

ClearOne StreamNet® technology provided the solution for all of these needs in one package. There are 24 dedicated zones, including training halls, syndicate rooms, an amphitheatre, and a gymnasium. Dining facilities, a leisure center, and meeting rooms for the senior staff were also required. Audio and video is fed throughout two main buildings to forty-nine end-points.

A ClearOne ANTHOLOGY® media server was chosen as the main audio source. Four simultaneous audio feeds are available at any time throughout the zones. Control is provided via an iPad so that the end users can pick and choose their background music.

EQUIPMENT LIST

- » 26 x MLAV9500 IP-Based Digital Video Encoder
- » 24 x VL9300 IP-Based Digital Video Decoder VL9300
- » 25 x SL251 IP-Based Controller/Amplifier
- » 1 x ANTHOLOGY Audio Media Server
- » 4 x NS-SW5548 48-Port Gigabit Switch
- » 10 x KL201 Wall-Mount Keypads

ABOUT CLEARONE

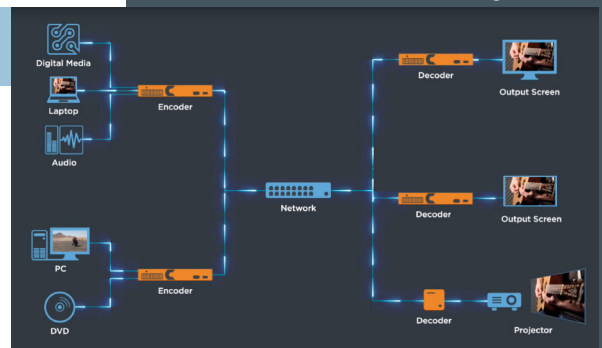
ClearOne is a global company that designs, develops and sells conferencing, collaboration, and network streaming & signage solutions for voice and visual communications.

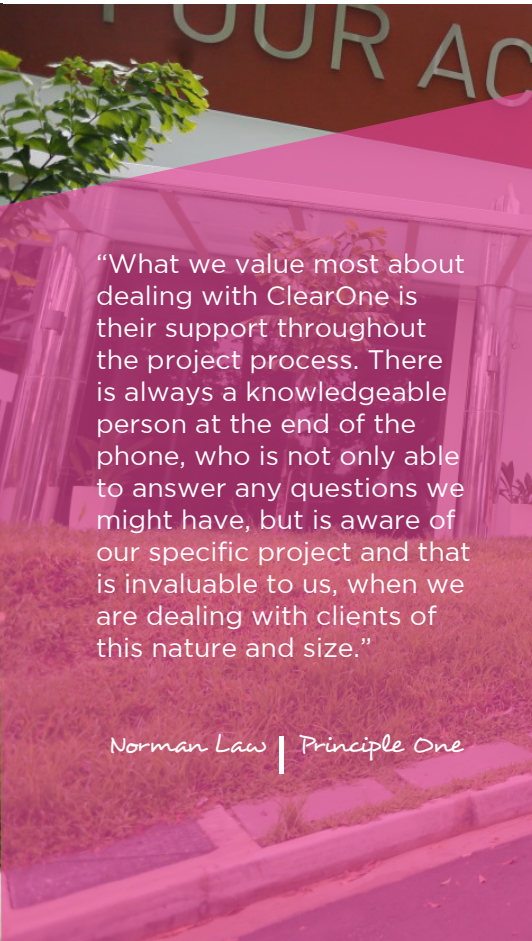
The performance and simplicity of its advanced, comprehensive solutions offer unprecedented levels of functionality, reliability, and scalability. More information about the company can be found at www.clearone.com.

THE STREAMNET FAMILY

ClearOne's StreamNet technology is available in a family of devices, allowing you to distribute audio and video signals across a network and connect to screens, projectors, and local audio systems.

ClearOne Network Streaming Solution





“What we value most about dealing with ClearOne is their support throughout the project process. There is always a knowledgeable person at the end of the phone, who is not only able to answer any questions we might have, but is aware of our specific project and that is invaluable to us, when we are dealing with clients of this nature and size.”

Norman Law | Principle One

THE STREAMNET FAMILY

ClearOne solutions are designed with integration in mind. It was the product support and design assistance that made the ClearOne solution an easy decision for Principle One. ClearOne sales support was on hand consistently to ensure the installation and functionality worked seamlessly.

RESULTS AND BENEFITS

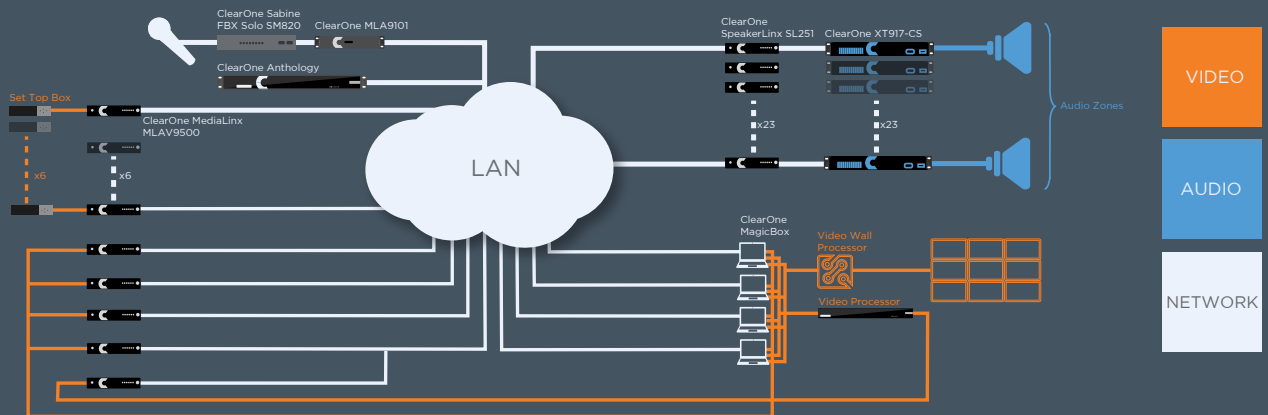
ClearOne’s StreamNet technology is available across a family of devices. Encoders enable you to easily connect audio and video sources to the network, whilst a series of corresponding decoders take signals at end points to connect to screens, projectors and local audio systems.

ClearOne even has a series of StreamNet audio amplifiers so you can connect directly from the network to your loudspeakers. All of your audio and video inputs can be easily routed to any output.

ABOUT THE INTEGRATOR

Principle One is a multi-disciplinary integrator with offices in Hong Kong, China, Singapore and Japan. They provide audio-visual, IT installation, management and maintenance services to companies across Asia. With over 100 employees, they offer a wide range of skills in-house. They provide services for industries ranging from financial services, retail and leisure.

SYSTEM OVERVIEW



SALES AND ENQUIRIES

North America

Tel: +801.975.7200
TollFree: +800.945.7730
TechSales: +800.705.2103
Fax: +801.303.5711
sales@clearone.com

Europe & Oceania

Tel: +44.1454.616.977
global@clearone.com

Latin America

Tel: +801.974.3621
global@clearone.com

Asia Pacific

Tel: +86.138.23287825
global@clearone.com

Middle East

Tel: +91.9930782195
global@clearone.com

Other product names may be registered trademarks of their respective owners who do not necessarily endorse ClearOne or ClearOne’s products. All rights reserved. Information in this document subject to change without notice. © 2016 ClearOne.