

XAP® Net

Ethernet Control Interface

ClearOne.

An advanced control interface for ClearOne's industry-leading professional conferencing line. The XAP Net brings Ethernet connectivity to XAP and PSR1212 audio systems, allowing remote programming, upgrades, and diagnostic functions.



ADVANCED CONTROL AND REMOTE SYSTEM MANAGEMENT

APPLICATIONS

Installations with multiple XAP/PSR1212 units

Organizations with remotely managed locations

Companies employing centralized network management

ADVANTAGES

Remote System Management

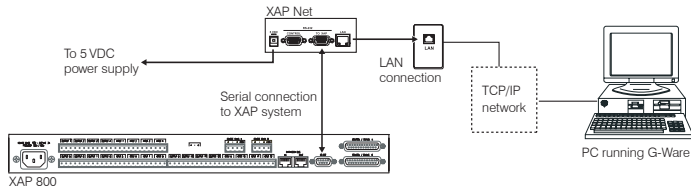
- + Connect to multiple linked XAP and PSR1212 systems to adjust system settings, route audio inputs, view meters and upgrade firmware via Ethernet
- + Remotely run presets and macros, adjust input and output gain and view unit and site information
- + Solve system problems faster and reduce on-site visits with centralized management and control

Access Flexibility

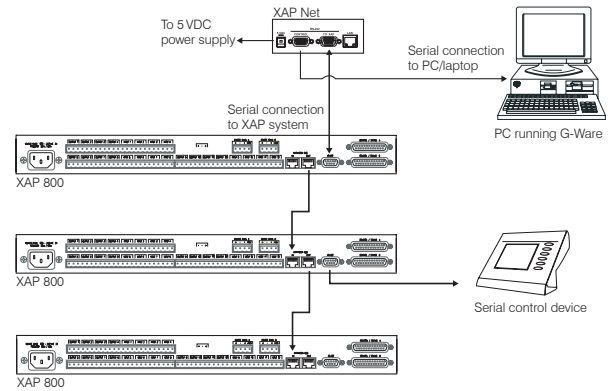
- + Configure XAP and PSR1212 systems through G-Ware™ configuration software for complete system configuration and control
- + With XAP Net's built-in web server, remote system access also available through web browser without using G-Ware
- + Manage through LAN or WAN connection - features support for common network control and management protocols
- + Connect to XAP Net through built-in Ethernet interface, or connect directly with PC via RS-232 serial port

> **INSTALLATION**

XAP Net LAN connection



XAP Net serial connection



> **SPECIFICATIONS**



LAN Support

Network protocols: TCP/IP, DNS, UDP, DHCP, ARP, HTTP, ICMP

Ethernet

Type: 10/100 BASE T
Auto sensing
Connector: RJ-45

RS-232

DB9 Female
BPS selectable
9.6 k/19.2 k/38.4 k/57.6 k
CTS/RTS Flow control
DB9 Male
Auto configured for XAP

LAN LEDs

Good Link (Green)
Speed (Yellow)

Front Panel LEDs

Active
Illuminates (green) when active
Status
Green = Connected to XAP
Red = Ready, no XAP connection

Compliance

FCC
CSA
CE

Environmental

Operating Temperature:
32-122° F (0-50° C)
Humidity: 15%-80%

Power

External power supply
100-240 VAC; 50/60 Hz; 5 W

Dimensions (W x D x H)

4" x 4.25" x 1.5"
(10.2 cm x 10.8 cm x 3.8 cm)

Model Number

910-151-150 XAP Net Ethernet
Control Interface

> **CLEARONE LOCATIONS**

Headquarters:
Salt Lake City, UT USA
5225 Wiley Post Way
Suite 500
Salt Lake City, UT 84116
Tel: 801-975-7200
800-945-7730
Fax: 801-977-0087
sales@clearone.com

Latin America
Tel: 801-974-3621
global@clearone.com

EMEA
Tel: 44 (0) 1189 036 053
global@clearone.com

APAC
Tel: 801-303-3388
global@clearone.com