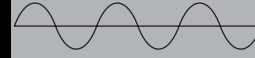


# Volume and Select Control Panels



## Installation Instruction Sheet

The Volume Control Panel and Select Control Panel connect to either the Remote Panel A or B connector of the PSR1212, XAP 800, or XAP 400 and works by triggering the execution of programmed commands from the XAP/PSR unit. Each button on the control panel is programmable to execute a single command or a series of commands. Button function is programmed using G-Ware software (see the XAP or PSR user manual). Each Control Panel fits inside a standard electrical wall box and must be installed according to local electrical codes.

## Connecting the Control Panel

1. Ensure you received a fascia plate; a Control Panel assembly with mounting bracket and two RS-485 Phoenix four-pin connectors; two connector terminator blocks; a faceplate; two flat HD screws; two pan-head screws; and an electrical wall box (shown in Figure 4). If any parts are missing, please contact ClearOne.
2. Using DIP switches 1–4, assign a unique ID to the Control Panel. Refer to Figure 2 for proper DIP switch settings. If you set an invalid address, all LEDs on the Control Panel will illuminate.
3. Set DIP switch 8 to the on position if you are using just one Control Panel. If you have more than one Control Panel daisy-chained to the same Remote Panel connector, set **only the last** Control Panel's DIP switch 8 to on. Switches 5-7 are nonfunctional.
4. Turn off the XAP/PSR unit (unplug the unit).
5. Wire each end of a Cat. 5 cable to a connector terminator block. Use one twisted wire pair for the center - and + connections (pins 2 and 3) and the other twisted pair for the ground and +15V connections (pins 1 and 4). See Figure 3. Failure to correctly wire the cable can result in damages to the unit.
6. Connect one connector terminator block to the Remote Panel on the XAP/PSR unit. Route the other end of the cable through the back of the electrical wall box and connect the terminator block to the Control Panel.
7. To use a second Control Panel, connect it to the unused Remote Panel connector on the XAP/PSR unit or the unused connector on the first Control Panel. You can daisy-chain up to six Control Panels to each Remote Panel connector. Total cable run depends on the number of Control Panels used. The distance information in

**!** The ClearOne Control Panel must not be used with an AC power switch or plug in the same box.



Figure 1. DIP switches

|                      |    | DIP Switch |     |     |     |
|----------------------|----|------------|-----|-----|-----|
|                      |    | 1          | 2   | 3   | 4   |
| Control Panel Number | 0  | On         | On  | On  | On  |
|                      | 1  | Off        | On  | On  | On  |
|                      | 2  | On         | Off | On  | On  |
|                      | 3  | Off        | Off | On  | On  |
|                      | 4  | On         | On  | Off | On  |
|                      | 5  | Off        | On  | Off | On  |
|                      | 6  | On         | Off | Off | On  |
|                      | 7  | Off        | Off | Off | On  |
|                      | 8  | On         | On  | On  | Off |
|                      | 9  | Off        | On  | On  | Off |
|                      | 10 | On         | Off | On  | Off |
|                      | 11 | Off        | Off | On  | Off |

Figure 2. DIP switch settings

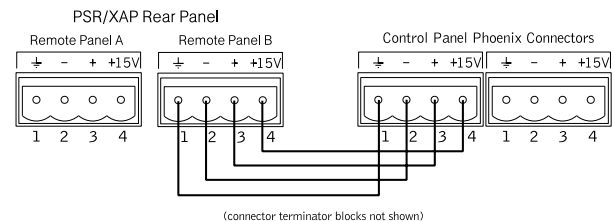


Figure 3. RS-485 Phoenix Connections

# Volume and Select Control Panels



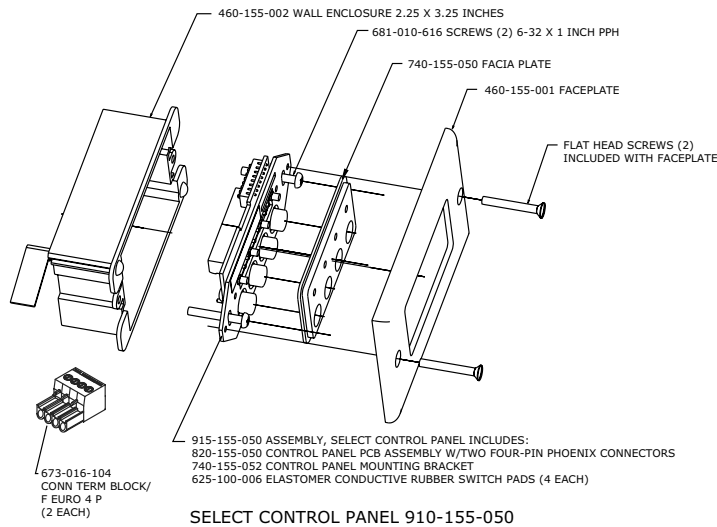
the table at right is based on Cat. 5 cable with a nominal resistance of 27Ω per 1,000 feet (305 meters). All distances refer to total cable runs from a single Remote Panel connector. For information about extending beyond 800 feet (244 meters) total with six Control Panels, call Technical Support at 1-800-283-5936.

8. As shown in Figures 4 and 5, use the supplied pan-head screws to install the Control Panel PCB assembly to the electrical wall box.
9. To install the fascia plate, position it over the conductive rubber switch pads on the PCB assembly, as shown in Figures 4 and 5.
10. Mount the faceplate over the rubber switch pads, using the two flat HD screws.

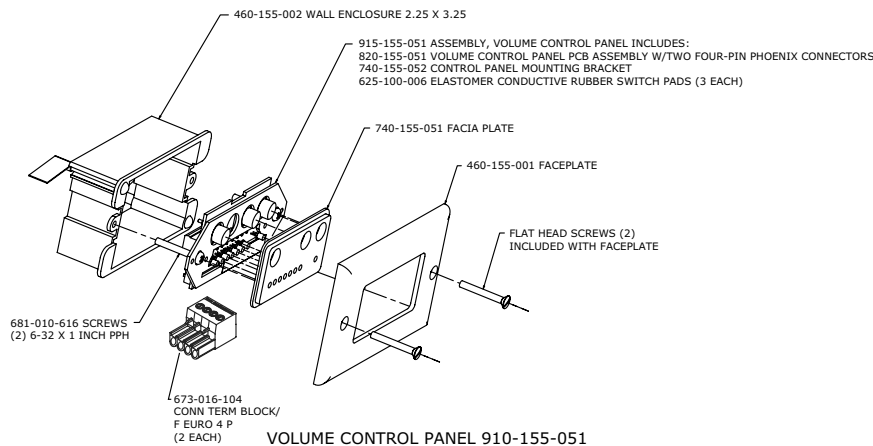
| # of Control Panels | Maximum Distance    |
|---------------------|---------------------|
| 1                   | 3,000 ft/914 meters |
| 2                   | 2,500 ft/762 meters |
| 3                   | 1,600 ft/488 meters |
| 4                   | 1,200 ft/366 meters |
| 5                   | 1,000 ft/305 meters |
| 6                   | 800 ft/244 meters   |



**Control Panel Assembly Dimensions (both versions):**  
**1.8"/4.6cm W x 4.125" /10.5cm L** (not including faceplate or electrical box).



**Figure 4. Select Control Panel Assembly**



**Figure 5. Volume Control Panel Assembly**

**CE** This equipment complies with the requirements of the European guidelines: 89/336/EEC "Electromagnetic Compatibility" and 93/68/EEC "Electrical operating material for use within specific voltage limits."

This device complies with part 15 of the FCC rules. Operation is subject to the following two conditions: (1) This device may not cause harmful interference, and (2) This device must accept any interference received, including interference that may cause undesired operation.