

DIGILINX™ Release Notes

Firmware Release Note

DigiLinX Dealer Setup Program Version 1.50

Firmware Release Notes: Version 1.25

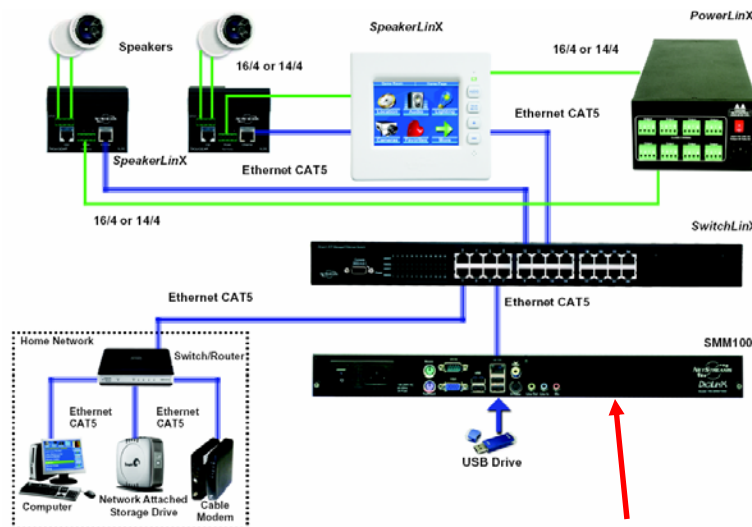
PLEASE REMEMBER TO UPDATE THE FIRMWARE OF YOUR DIGILINX SYSTEM USING THE DIGILINX DEALER SETUP PROGRAM BEFORE CONFIGURING THE SYSTEM AT INSTALLATION TO TAKE ADVANTAGE OF THESE GREAT NEW FEATURES!

NEW: Support for NEW Streaming Music Manager SMM100 from NetStreams!

Description: In conjunction with NetStreams' release of the new Streaming Music Manager (SMM100), the new *DigiLinX*™ Dealer Setup Program version 1.50 adds Streaming Music Manager as a selection in the dropdown menu for server type when adding a media server to your project and enables you to configure Streaming Music Manager to accommodate each unique installation's home network configuration.

Streaming Music Manager builds a database containing the locations of music files and makes this information available to the *DigiLinX* network. *DigiLinX* can then browse the database, locate and play the files from the computer network, and display metadata from those files on any *DigiLinX* graphical interface (GUI).

Benefit: The new NetStreams SMM100 (available now) allows your customers the ability to listen to up to 6 streams of WAV or MP3 music from their PC, Mac, Network Attached Storage device, USB mass storage devices or Windows® Media Center. The SMM100 builds and maintains a real time database of all music available in the shared drives on the network.



Streaming Music Manager SMM100 finds and manages music on shared files on the network.

The
IP-Based
Distributed
Entertainment
Company.

Highlights

Page 1

NEW: Support for New Streaming Music Manager (SMM100)!

Pages 2 ~ 3

NEW: GE Concord Security Drivers and User Interface!

NEW: Write and Load Control Drivers with StreamNet Device Driver Application Programming Interface (API)

Page 4

NEW: Playmates Feature for Unified SpeakerLinX Control!

NEW: Integration with NetStreams Panorama Multi-Room Video System.

Page 5

NEW: DVR and TV Control User Interface Screens

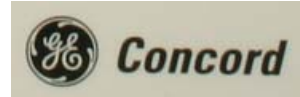
Page 6

NEW: Designer Skin "Machine"



DigiLinX Dealer Setup 1.50 Release Notes Continued

NEW: Seamless Integration and Control of GE Concord Home Security System!



Description: The new *DigiLinX* Dealer Setup 1.50 software now adds control of security subsystem by including a driver and user interface for seamless integration (using a *ControLinX*™ CL100) and control of the GE Concord® security system from any *TouchLinX*™ touch screen or web browser-based user interface. The driver enables *DigiLinX* control and 2-way communication with GE Concord Security systems, and the new *TouchLinX* user interface screen emulates the security system keypad, with fire, medical, and police buttons, a number keypad, and armed/disarmed indicators.

Benefits: Eliminate unsightly wall acne and control your security system, audio system, lighting and HVAC from the same *TouchLinX* in-wall LCD touch screen controller. Adds control of the security system throughout the home. Available on all current skins (both designer & standard) as well as on the new Machine skin included in this release.

The Security User Interface includes a “status” screen much like the LCD display on the GE Concord keypad.



NEW: Create and Load 2-way RS-232 Control Drivers for Lighting & HVAC with the NetStreams StreamNet™ Device Driver Application Programming Interface (API)!

Description: As you are aware, *DigiLinX* already has built-in drivers for a variety of third party systems, including Lutron® for lighting and Aprilaire® for HVAC, and so on. So many of our authorized dealers have asked us if they can create their own drivers to support other brands of lighting control, HVAC, and other systems that we decided to make it possible. To write your own driver, you will need the following:

- Download the *StreamNet* Device Driver Application Programming Interface Guide from the dealer section of the *NetStreams* website (look in the section labeled “*DigiLinX* manuals”)
- RS-232 communication protocol codes for the subsystem that you are creating the driver for.

The *StreamNet*™ Device Driver API Guide covers the basics of driver creation using Lua, an open source code. Once you've created your driver, save it to your PC and load it into the *ControLinX* CL100 by using *DigiLinX* Dealer Setup 1.50.

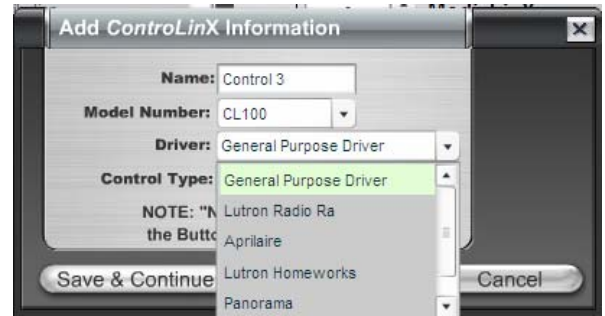
Benefits: Now you can integrate *DigiLinX* with other brands of HVAC, lighting or security subsystems (via a *ControLinX*) by creating your own two-way RS-232 control drivers!

Check out how to load the driver you made using the *DigiLinX* Dealer Setup Program v1.5 on the next page.

DigiLinX Dealer Setup 1.50 Release Notes Continued

Creating and Loading your own Control driver (continued):

Step 1: Add a *ControlLinX* to your project for the system you wish to control. If it is a Lighting system and you want to use the Lighting control user interface, select Lutron (you'll load the driver you created for the other brand of lighting system in step 2). If you want to use the HVAC user interface, select Aprilaire... or, if you want to use just the generic screen, select "General Purpose Driver".



Step 2: After you match devices, click on the *ControlLinX* that is connected to the subsystem that you wrote the driver for and go to the IR/RS-232 settings tab, highlight the driver type field and replace the file name (Lutron.lua) with the file name of the driver for the system you wrote it for.



Replace the driver file with the file name for the driver that you wrote and wish to load, and click APPLY.

Step 3: Go to the labels tab and label the buttons appropriately, then send configuration file to all devices and you're good to go!

Show off the driver you created by posting it on the *NetStreams* Forums for sharing with other dealers and eventual validation by *NetStreams*.

Join the *NetStreams* Forums by going to <http://www.netstreamsforums.com>

DigiLinX Dealer Setup 1.50 Release Notes Continued

NEW: Playmates Feature for Unified SpeakerLinX Control!

Description: The new *DigiLinX* dealer setup software also includes a feature that *NetStreams* calls “Playmates™”. Playmates now allows multiple *SpeakerLinX™* IP Amplifier / Room Controllers to be linked together permanently, accommodating installations that have larger rooms which require multiple *SpeakerLinX* to amplify multiple pairs of speakers without causing conflicts in room control.

Benefits: With the new *Playmates* feature, you can group 2 or more *SpeakerLinX* in a master/ slave configuration to handle multiple pairs of speakers in a room. Of course you can always install a *SpeakerLinX* and several MU290 power amplifiers to handle multiple pairs of speakers in a zone. But we know that sometimes it can be difficult to find a place for the MU290 power amplifiers, particularly with the 65 foot distance limitation of EIM. **So, now it’s your choice — install multiple *SpeakerLinX* IP-Based Amplifier / Room controllers to handle multiple pairs of speakers in a room, or install 1 *SpeakerLinX* and multiple MU290s!**

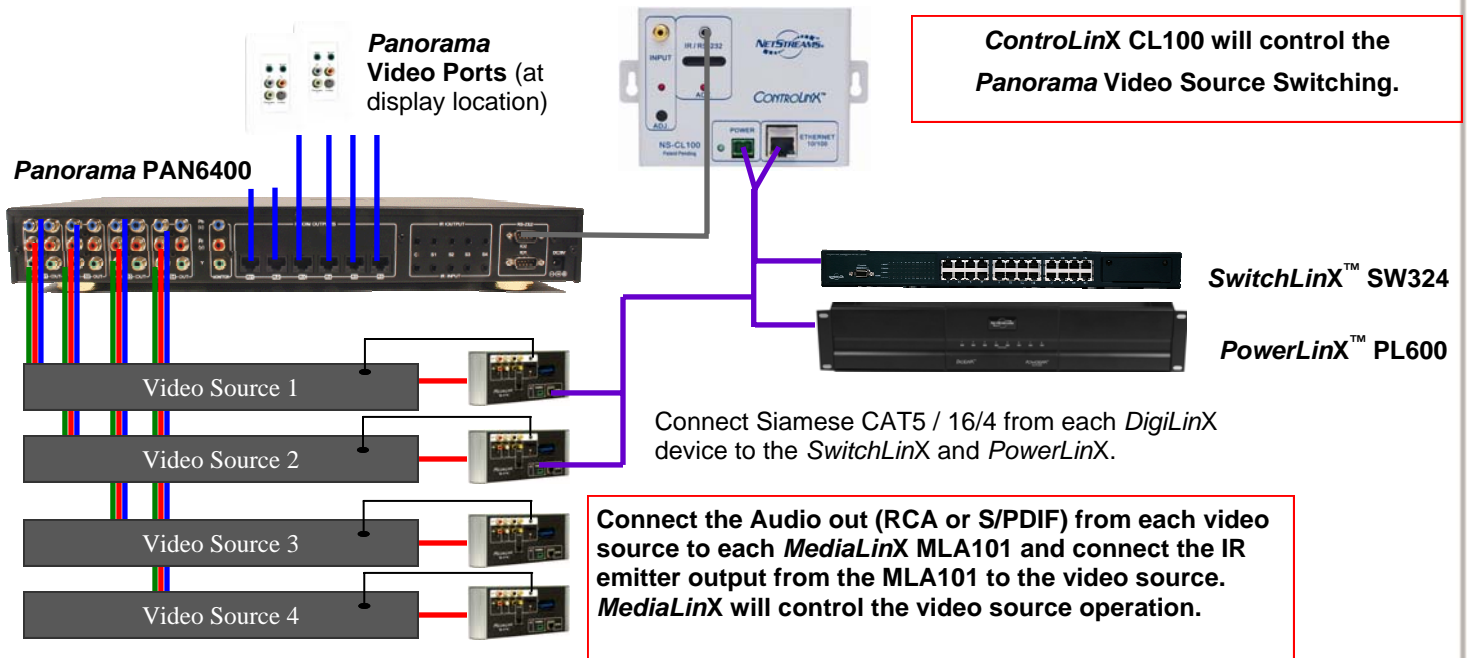
NEW: Seamless Integration with *NetStreams’* Panorama™ PAN6400 Multi-Room Video System!

Description: We know some of you are anxiously waiting our IP-Based Multi-Room Video system. *NetStreams* IP-Based Video solution, which we’ll be showing at the upcoming CEDIA Show, will provide super high quality video distribution and will be easily integrated with *NetStreams DigiLinX* system. But some of you need video for jobs now, so we’ve integrated our entry level *Panorama* Multi-Room video system.

How to integrate *Panorama*:

To integrate *Panorama* with *DigiLinX*, you will need the following products:

- 1 *ControLinX* CL100 (connect the 3.5mm to RS-232 cable to the RS-232 port on the PAN6400 labeled “IO2”)
- 1 *MediaLinX* MLA101 for each video source connected to the PAN6400. (MLA101 will convert the audio for distribution over the *DigiLinX* system).

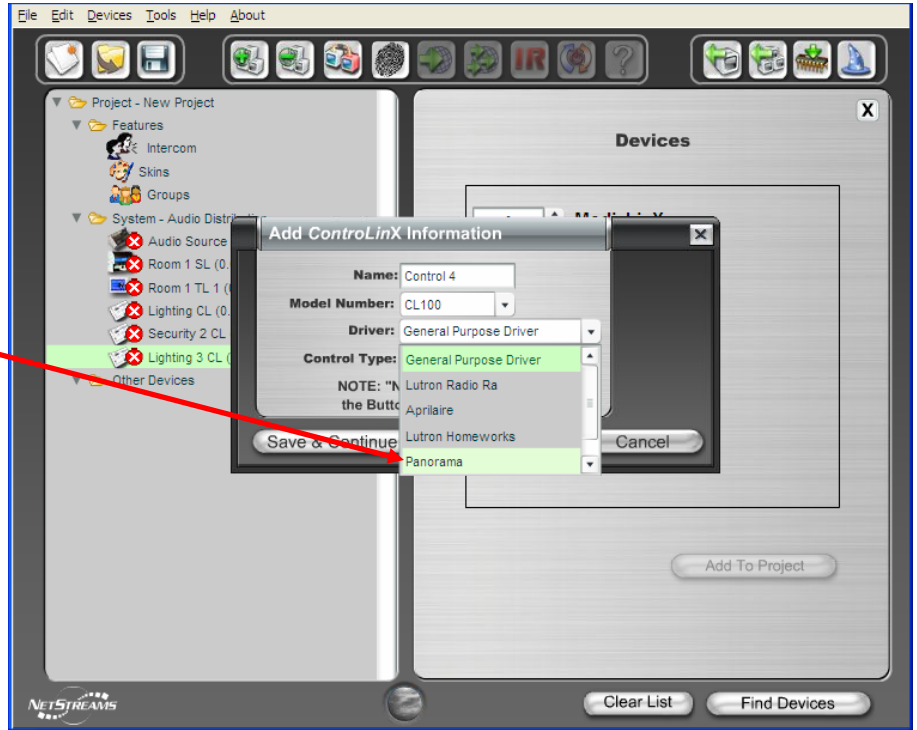


DigiLinX Dealer Setup 1.50 Release Notes Continued

Seamless Integration with NetStreams' Panorama™ PAN6400 Multi-Room Video System (Continued)!

In the *DigiLinX* Dealer Setup Program v1.50, be sure to select the *Panorama* driver when adding the *ControlLinX*., then follow the instructions in the *DigiLinX* Dealer Setup manual in section 5.

Select the *Panorama* Driver when adding a *ControlLinX* for *Panorama* Integration with the *DigiLinX* system.



Note: in your project file, be sure to add one *MediaLinX* MLA101 for each video source connected to the *Panorama* Multi-Room Video System.

Benefit: Integrate Multi-Room video with your *DigiLinX* system and give your customers the ability to switch and select 4 video sources from a *TouchLinX* or other web-browser based device by integrating *NetStreams Panorama* entry level Multi-Room Video system.

NEW: DVR & TV Control User Interface Screens!

Description: Now that we've added basic video distribution control, there was an immediate requirement for additional control screens for video equipment. The new *DigiLinX* Dealer Setup Release v1.5 adds a dedicated Digital Video Recorder (DVR) graphical user interface to provide easier control of a DVR (such as TIVO®, ReplayTV®, TimeWarner®, and others) and a TV control user interface (available in the GUI under the settings screen).

Benefit: Perfect if you're integrating the *NetStreams Panorama* system with *DigiLinX*, since you can also provide your customers easy control of their TiVO via the *DigiLinX* system, as well as basic TV control functions for the TV in each room.



New PVR Screen

DigiLinX Dealer Setup 1.50 Release Notes Continued

NEW: Designer Skin — Machine!

Description: *NetStreams* continues to expand its selection of skins, with new ones available for *TouchLinX* or any Adobe/Macromedia flash-enabled devices (web browser, PDAs, etc). In fact, each room can have a different user interface in an installation. Standard skins are basic templates for which you can adjust the color of the background, button color, and font color. Designer skins are feature rich graphics and have been especially designed as a themed user interface for our 2006 collection. Designer skins are free for a limited time, and of course, we recommend you charge your customer for any skin (make some money! Come on' we know you want to!). We've added a new skin to the selection called "Machine".

Benefit: Make more money by offering your customer different custom user interfaces for each room without any programming on your part. Take advantage of new user interfaces or choose the skin you desire for each room in dealer setup by simply selecting it. This is what *NetStreams* calls "Intelligent Personalization." The new Machine skin is particularly interesting for your customers that prefer a more industrial-looking graphical user interface!



New Designer Skin — "Machine"