

ClearPresence Dual Media Cart

ClearOne[®]

A stylish way to fully integrate a video conferencing unit into a complete conferencing and collaboration solution. The integrated rack system with easy access to both the front and rear of the equipment simplifies configuration. The simple lines and refined design transform an existing meeting room into a productive space.

DUAL MEDIA CABINET

APPLICATIONS

- + Boardroom
- + Meeting Room
- + Distance Learning
- + Courtroom
- + Video Conferencing Suite
- + Telemedicine



BENEFITS

- + Stylish Video Conferencing Media Cart
 - > High Gloss Black Finish
 - > Low Visual Profile
- + Stainless Steel Accents
- + Recessed Wheel System
- + Developed for Video Conferencing Applications
 - > Integrated Rack System
 - > Both Front and Rear Access
 - > Adjustable Camera Shelf
 - > Equipment Shelf with Plexiglas Door
- + Fits up to 50" Displays
 - > Universal Mounting System
 - > Support up to 200 lbs
- + Designed for Strength and Reliability
 - > Steel Construction
 - > Support up to 800lbs of equipment
- + Easy Equipment Installation & Integration
 - > Minimal Assembly
 - > Easy Hook and Slot Attachment System

- > Integrated Caster System

FEATURES

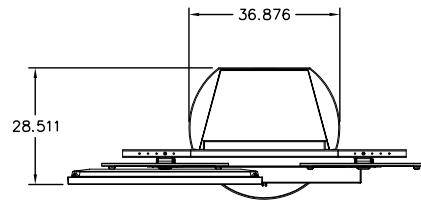
- + Universal Flat Screen Mounts
 - > Includes 2-Universal Mounts for up to 50" LCD Displays
- + Integrated Camera Mounting Shelf
 - > Adjustable Camera Shelf
 - > Fits new HD Cameras
- + 10 Space Rack System
 - > Front and Rear Access Panels

> Specifications

ClearPresence Dual Media Cart

Includes

- Universal Base Cart
- Dual Plasma Arms
- 2- Universal LCD Mounts
- Integrated Camera Shelf
- Associated Assembly Hardware



Integrated 19" Rack

- Height: 10 Spaces, 15.75"
- Front & Back Rails: Included
- Rail Recess: 2" Clearance from front door

Casters

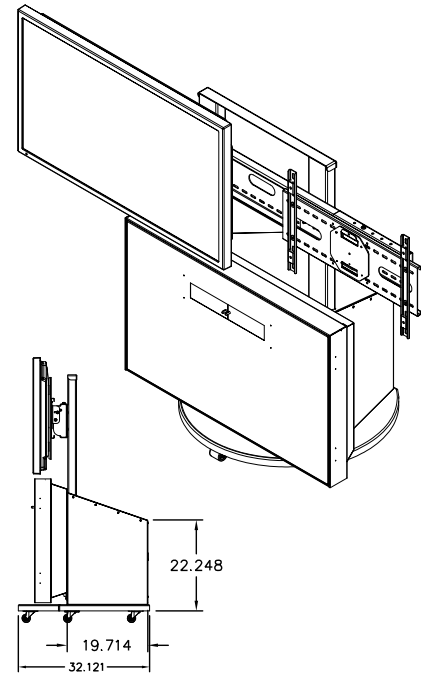
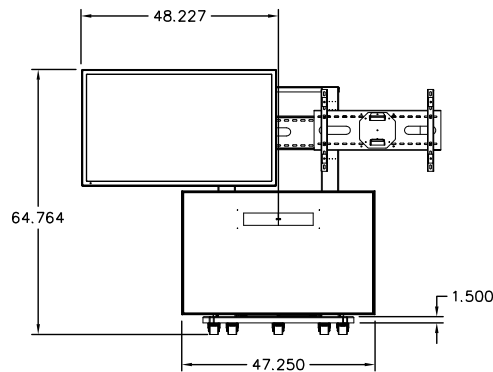
- Type: 2- Swivel with Brake, 2- Fixed
- Weight Rating: 220 lbs/each

LCD/Plasma Support

- Fits maximum of two 50" LCD Displays

Other

- Construction: Steel
- Total Load Capacity: 800 lb



Measurements are in inches

> CLEARONE LOCATIONS

Headquarters:
Salt Lake City, UT USA
 5225 Wiley Post Way
 Suite 500
 Salt Lake City, UT 84116
Tel: 801-975-7200
 Toll Free: 800-945-7730
Fax: 801-977-0087
sales@clearone.com

Latin America
Tel: 801-974-3621
global@clearone.com

EMEA
Tel: 44 (0) 1189 036 053
global@clearone.com

APAC
Tel: 801-303-3388
global@clearone.com