

ClearOne®

VIEW® Lite EJ100 Digital AV Encoder JPEG2000 Based Audio/Video Encoder Quick-Start Guide



Table of Contents

PRODUCT OVERVIEW	1
VIEW® LITE AV OVER IP STREAMING SYSTEM	1
DEVICE APPLICATION.....	1
ENCODERS AND DECODERS IN A NETWORK.....	1
PARTS INCLUDED.....	3
MOUNTING THE EJ100 ENCODER	3
CONNECTING THE EJ100 ENCODER.....	4
CONFIGURING THE ENCODER	6
COMPLIANCE.....	6
PART NUMBERS.....	7

PRODUCT OVERVIEW

VIEW® LITE AV OVER IP STREAMING SYSTEM

The VIEW Lite platform is designed to stream high-quality audio and video over a TCP/IP network (AVoIP™). An encoder, such as a VIEW Lite EJ100, takes digital video and audio from a source device, such as a receiver, cable box or DVR, and makes the source available anywhere on the dedicated Ethernet LAN network. A decoder, such as the VIEW Lite DJ100, takes the combined video and audio stream and decodes it. The DJ100 then sends the video and audio to a display such as a HDTV or projector and sound system.

DEVICE APPLICATION

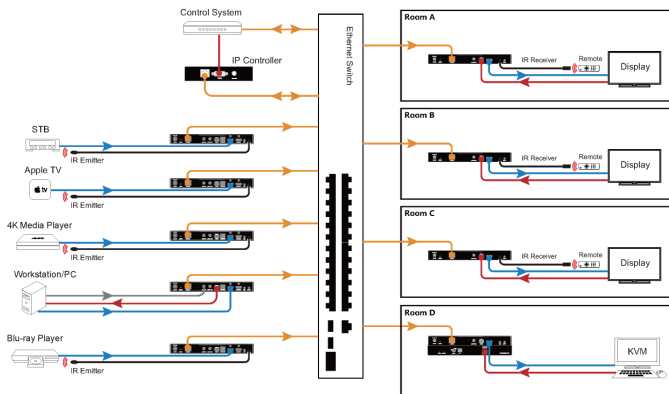
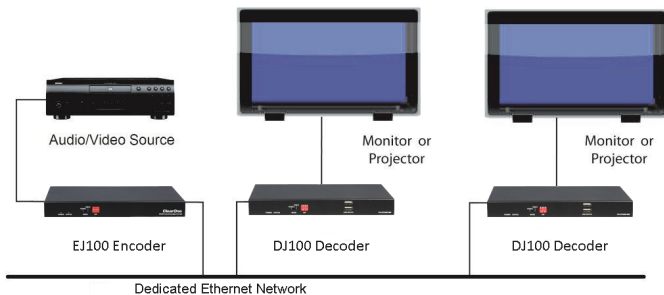
The EJ100 is a high-definition, Internet Protocol, JPEG2000 based Audio/Video encoder. The EJ100 connects to a TCP/IP network using a Gigabit Ethernet connection. Used with the DJ100, the EJ100 encoder is designed to be installed at the location of the target AV source.

Installation should be done by a qualified Dealer Service representative.

ENCODERS AND DECODERS IN A NETWORK

The VIEW Lite EJ100 encoder receives input from an AV source device such as BluRay Player, DVD Player, etc. and distributes it over a dedicated TCP/IP network using a standard Gigabit Ethernet connection. The VIEW Lite decoder, as a counterpart, is installed at the location of the target video display(s). They operate together; the encoders providing the IP data for the decoders to deliver to the displays.

VIEW LITE EJ100 ENCODER



PARTS INCLUDED

The following items are included with the VIEW Lite EJ100 Encoder:

- 1X VIEW Lite EJ100 Encoder Unit
- 1X 12V DC Power Adapter
- 1X Detachable Plug
- 1X Phoenix Euroblock (Male, 3.5 mm, 3 pins)
- 1X IR Emitter (3.9 ft / 1.2 m)
- 1X IR Wideband Receiver (3.9 ft / 1.2 m, 30 kHz ~ 50 kHz)
- 2X Mounting Ears with Screws

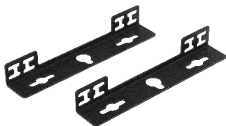
Verify that all items have been received. If there is any issue, please contact your ClearOne representative.

MOUNTING THE EJ100 ENCODER

The VIEW Lite EJ100 Encoder comes with mounting ears that facilitate mounting on a table or wall.



Mounting ears attached to the unit



Mounting ears shown separately

VIEW LITE EJ100 ENCODER

CONNECTING THE EJ100 ENCODER

VIEW Lite EJ100 Front Panel



A. LED

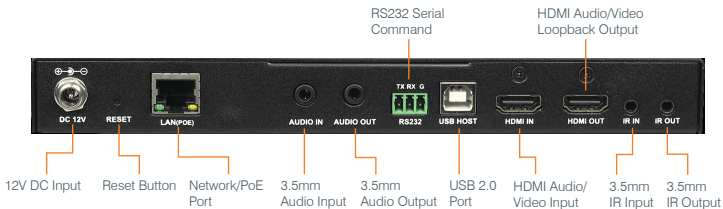
- » Power: Solid red indicates the unit is powered on.
- » Status:
 - Off (no light): Unit powered off, or in the boot process.
 - Blinking blue: Unit is disconnected from the EJ100 or an active video source, or the network is down.
 - Solid blue: Unit is connected to the EJ100 and a video stream is displayed.

B. Mode Switch: Set the mode for the RS-232 function. Under the default Normal Mode, a RS-232 connection enables serial command control of display or 3rd-party devices. Under Debug Mode, it enables debugging.

C. DIP Switch: Routes audio and video together with IR, and USB signals between DJ100 and EJ100 units. To route video from a particular source to display, toggle switches on the EJ100 to match the positions on the chosen DJ100. To unlink a EJ100 from an DJ100, reset the EJ100 factory defaults.

NOTE: Before using the DIP switch, check that routing operations are not performed by other tools. If they are, the switch function is disabled. Press and hold the Reset Button to enable the switch.

VIEW Lite EJ100 Rear Panel



- A. 12V DC Input:** Power provided by the power supply.
- B. Reset Button:** Press and hold for 5+ seconds for factory reset.
- C. Ethernet/PoE Port:** A RJ-45 10/100/1000Mbps Ethernet/PoE port that connects to a PoE power injector, or PoE Ethernet Network Switch for power, monitoring, and/or configuration.
 - Left/Green LED: Indicates a good network connection.
 - Right/Yellow LED: Blinks to indicate network activity.
- D. 3.5mm Audio Input:** Jack for analog audio input that replaces the HDMI audio when plugged in.
- E. 3.5mm Audio Output:** Jack for analog audio output extract from HDMI.
- F. RS-232 Ports:** Port for debugging and display/3rd-party device serial command control.
- G. USB Type B Port:** Connectivity to a PC, MAC, or laptop for USB HID (KVM) functionality.
- H. HDMI In Port:** Connectivity to an AV source device.
- I. HDMI Loopback Output Port:** Connectivity to an AV display device for loopback output.

VIEW LITE EJ100 ENCODER

- J. IR Input Connector:** Compatible with IR sensor (3.5mm) for Network Passthrough.
- K. IR Output Connector:** Compatible with IR emitter (3.5mm) for source display or 3rd-party control.

CONFIGURING THE ENCODER

The EJ100 is set up for use in an Ethernet network using the VIEW Lite CONSOLE software, a PC-based program that allows you to configure devices so they can communicate across an Ethernet network.

These processes are detailed in the VIEW Lite CONSOLE User Manual available for viewing or download at www.ClearOne.com.

COMPLIANCE

Details on compliance can be found on the ClearOne website under "Resource Library".

PART NUMBERS

910-0100-001	VIEW Lite Encoder EJ100
910-0100-002	VIEW Lite Decoder DJ100
910-0100-003	VIEW Lite Controller CJ100

CONTACT INFORMATION

HEADQUARTERS:

5225 Wiley Post Way
Suite 500
Salt Lake City, UT 84116

US & Canada:

Tel: 801.975.7200
TollFree: 800.945.7730
Fax: 801.303.5711

International:

Tel: +1.801.975.7200
e-mail: global@clearone.com

Sales:

Tel: 801.975.7200
e-mail: sales@clearone.com

TechSales

Tel: 801.974.3760
e-mail: techsales@clearone.com

TechSupport

Tel: 801.974.3760
e-mail: tech.support@clearone.com